



Continuous Detecting Smart Transmitter

STX-[*]PA/PA-NRE SERIES



STX-1100PA



3 m remote cable ETC-3-C-3
and O2 sensor GS-1100EP



STX-1100PA-NRE

Features

- ◆ Stand-alone gas detection systems
- ◆ Characteristic LCD display
Gas name & concentration
- ◆ Local visual alarm
- ◆ Alarm relay contact SPDT x 2
- ◆ Fault relay contact SPDT x 1
- ◆ Output signal DC 4 – 20 am
- ◆ With disposable plug-in sensor
GS-[*]EP
- ◆ DC 24V operation
- ◆ Remote (using cable ETC-3-C-3)
and Non-remote type

Measuring gas name and range

Gas name	Sensor model	Range (ppm)	Gas name	Sensor model	Range (ppm)
H2S	GS-250EP	0 - 50	IPA	GS-2150EP	0 - 600
SO2	GS-550EP	0 - 6	C2H5OH	GS-2150EP	0 - 600
O2	GS-1100EP	0 - 25 %	TEOS	GS-3050EP	0 - 30
CO	GS-1250EP	0 - 75	VCM	GS-3355EP	0 - 200
H2	GS-1555EP	0 - 4000	PH3	GS-5050EP	0 - 1
NO	GS-1790EP	0 - 100	SiH4	GS-5050EP	0 - 15

* 3 or 4 digits number which is same as sensor model number.



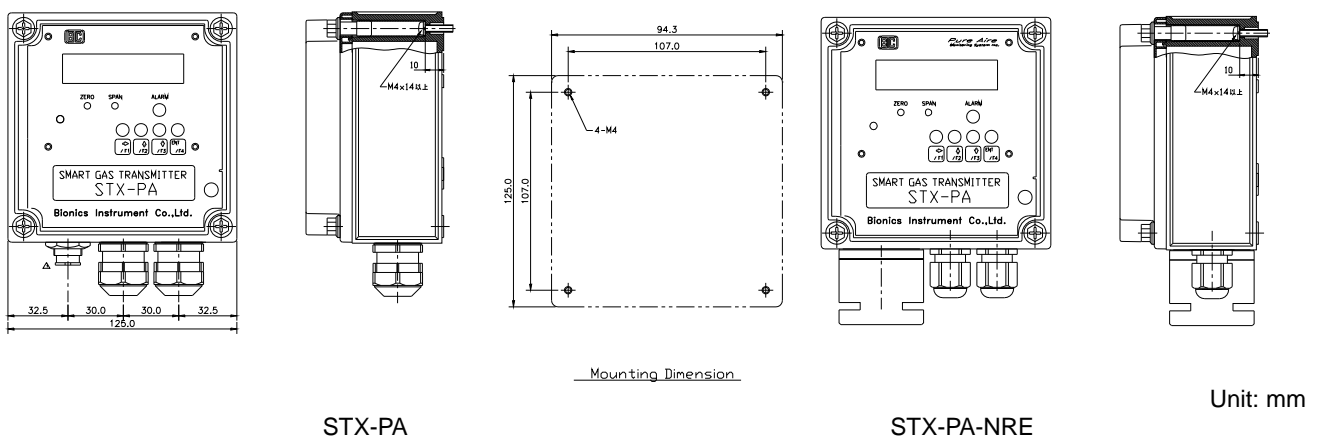
GS-[*]EP Sensor

Specifications

Transmitter model	STX-[*]PA	STX-[*]PA-NRE
Sensor connection	Remote	Non-remote
Sensor model & measuring range	Refer to measuring gas and range	
Principle	Electrochemical cell	
Monitoring configuration	Continuous, single-point	
Display	Characteristic LCD	
Response time (T ₆₀)	Within 30 sec.	
Operating temperature	0 - 40 ° C (no condensing)	
Analog output	4 - 20mA DC	
Type of relay contacts	A1 : SPDT A2 : SPDT Fault : SPDT (fail safe action)	
Capacity of relay contacts	AC125V, 0.3A max. / DC30V, 1.0A max.	
Power requirement	24V DC (3-wire)	
Power consumption	Approx. 5W	
Installation style	Wall mount	
Dimension	125(W) × 125(H) × 75(D) mm (excluding cable fittings)	
Weight	Approx. 1kg	
Enclosure type	IP65	

* 3 or 4 digits number which is same as sensor model number.

Dimensions



✕We reserve the right to change specifications without notice.

Bionics Instrument Co., Ltd.

6-1254-2 Shimizu, Higashi-yamato, Tokyo, 207-0004 Japan
 TEL: +81-42-561-4856 FAX: +81-42-565-3950
 e-mail: trade@bionics-japan.co.jp URL : <http://www.bionics-japan.co.jp>

Bionics Instrument Europe B.V.

Maxwellstraat 7, 1704 SG Heerthugowaard, The Netherlands
 TEL: +31-72-576 5630 FAX: +31-72-572 1818
 e-mail: sales@bionics-europe.com URL : <http://www.bionics-europe.com>

PureAire Monitoring Systems Inc.

557 Capital Drive, Lake Zurich, IL 60047, USA.
 TEL: +1-847-726-6000 FAX: +1-847-726-6051 Toll Free: 888-788-8050
 e-mail: info@pureaire.net URL : <http://www.pureairemonitoring.com>

Global Bionics Trading Corp.

No.18, Alley 29, Lane 335, Chenggong Rd., Hukou Township, Hsinchu County 30345, Taiwan.
 TEL: +886-3-553-8986 FAX: +886-3-553-8987
 e-mail: gbionics@ms56.hinet.net URL : <http://www.bionics.com.cn>